

# Product datasheet

Specifications



## soft starter for asynchronous motor - ATS48 - 81 A - 230..415 V - 18.5..75 KW

ATS48D88Q

### Main

|                              |  |
|------------------------------|--|
| Range of product             | Altistart 48   |
| Product or component type    | Soft starter   |
| Product destination          | Asynchronous motors  |
| Product specific application | Heavy duty industry and pumps  |
| Device short name            | ATS48  |
| Utilisation category         | AC-53A   |
| Ue power supply voltage      | 230...415 V - 15...10 %  |
| Power supply frequency       | 50...60 Hz - 5...5 %   |
| Motor power kW               | 55 kW at 400 V connection to the motor delta terminals for severe applications<br>75 kW at 400 V connection to the motor delta terminals for standard applications<br>18.5 kW at 230 V connection in the motor supply line for severe applications<br>22 kW at 230 V connection in the motor supply line for standard applications<br>37 kW at 230 V connection to the motor delta terminals for severe applications<br>37 kW at 400 V connection in the motor supply line for severe applications<br>45 kW at 230 V connection to the motor delta terminals for standard applications<br>45 kW at 400 V connection in the motor supply line for standard applications |

### Complementary

|                           |  |
|---------------------------|--|
| Device connection         | To the motor delta terminals<br>In the motor supply line                                     |
| Protection type           | Phase failure: line<br>Thermal protection: motor<br>Thermal protection: starter              |
| Standards                 | EN/IEC 60947-4-2   |
| Product certifications    | CCC<br>CSA<br>SEPRO<br>UL<br>C-Tick<br>GOST<br>NOM 117<br>TCF<br>DNV                         |
| Marking                   | CE   |
| Discrete input number     | 5  |
| Discrete input type       | PTC, 750 Ohm at 25 °C<br>(Stop, Run, LI3, LI4) logic, <= 8 mA 4300 Ohm                       |
| Discrete input logic      | Positive logic Stop, Run, LI3, LI4 at State 0: < 5 V and <= 2 mA at State 1: > 11 V, >= 5 mA |
| Minimum switching current | 10 mA at 6 V DC for relay outputs  |

|                                    |   |
|------------------------------------|---|
| <b>Discrete output number</b>      | 2   |
| <b>Discrete output type</b>        | (LO1) logic output 0 V common configurable<br>(LO2) logic output 0 V common configurable<br>(R1) relay outputs fault relay NO<br>(R2) relay outputs end of starting relay NO<br>(R3) relay outputs motor powered NO |
| <b>Analogue output type</b>        | Current output AO: 0-20 mA or 4-20 mA, impedance <500 Ohm   |
| <b>Communication port protocol</b> | Modbus  |
| <b>Connector type</b>              | 1 RJ45  |
| <b>Communication data link</b>     | Serial  |
| <b>Physical interface</b>          | RS485 multidrop   |
| <b>Transmission rate</b>           | 4800, 9600 or 19200 bps   |
| <b>Function available</b>          | External bypass (optional)  |
| <b>Operating position</b>          | Vertical +/- 10 degree  |
| <b>Height</b>                      | 290 mm  |
| <b>Width</b>                       | 190 mm  |
| <b>Depth</b>                       | 235 mm  |
| <b>Product weight</b>              | 8.3 kg  |

## Environment

|  |  |
|--|--|
| <b>Electromagnetic compatibility</b>         | Conducted and radiated emissions level A conforming to IEC 60947-4-2<br>Conducted and radiated emissions level B conforming to IEC 60947-4-2<br>Damped oscillating waves level 3 conforming to IEC 61000-4-12<br>Electrostatic discharge level 3 conforming to IEC 61000-4-2<br>Immunity to electrical transients level 4 conforming to IEC 61000-4-4<br>Immunity to radiated radio-electrical interference level 3 conforming to IEC 61000-4-3<br>Voltage/current impulse level 3 conforming to IEC 61000-4-5 |
| <b>Relative humidity</b>                     | 0...95 % without condensation or dripping water conforming to EN/IEC 60068-2-3   |
| <b>Ambient air temperature for operation</b> | 40...60 °C (with current derating of 2 % per °C)<br>-10...40 °C (without derating)   |
| <b>Ambient air temperature for storage</b>   | -25...70 °C  |
| <b>Operating altitude</b>                    | <= 1000 m without derating<br>> 1000...2000 m with current derating of 2.2 % per additional 100 m  |

## Packing Units

|                                     |           |
|-------------------------------------|-----------|
| <b>Unit Type of Package 1</b>       | PCE       |
| <b>Number of Units in Package 1</b> | 1         |
| <b>Package 1 Height</b>             | 35.2 cm   |
| <b>Package 1 Width</b>              | 35.8 cm   |
| <b>Package 1 Length</b>             | 44.8 cm   |
| <b>Package 1 Weight</b>             | 9.204 kg  |
| <b>Unit Type of Package 2</b>       | P06       |
| <b>Number of Units in Package 2</b> | 2         |
| <b>Package 2 Height</b>             | 73.5 cm   |
| <b>Package 2 Width</b>              | 80.0 cm   |
| <b>Package 2 Length</b>             | 60.0 cm   |
| <b>Package 2 Weight</b>             | 31.896 kg |

## Offer Sustainability

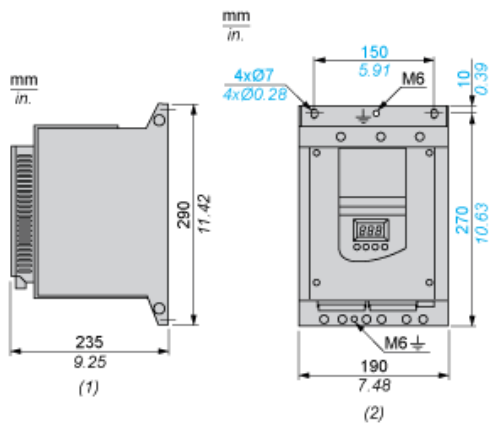
|                                   |   |
|-----------------------------------|---|
| <b>Sustainable offer status</b>   | Green Premium product   |
| <b>REACH Regulation</b>           | <a href="#">REACH Declaration</a>   |
| <b>EU RoHS Directive</b>          | Pro-active compliance (Product out of EU RoHS legal scope)<br><a href="#">EU RoHS Declaration</a>                           |
| <b>Mercury free</b>               | Yes   |
| <b>China RoHS Regulation</b>      | <a href="#">China RoHS declaration</a>  |
| <b>RoHS exemption information</b> | <a href="#">Yes</a>   |
| <b>Environmental Disclosure</b>   | <a href="#">Product Environmental Profile</a>   |
| <b>Circularity Profile</b>        | <a href="#">End of Life Information</a>   |
| <b>WEEE</b>                       | The product must be disposed on European Union markets following specific waste collection and never end up in rubbish bins |

## Contractual warranty

|                 |           |
|-----------------|-----------|
| <b>Warranty</b> | 18 months |
|-----------------|-----------|

**Dimensions**

---



(1) Right View

(2) Front View

**Clearance**

---



**Recommended replacement(s)**