

Product data sheet

Specifications



soft starter for asynchronous motor - ATS01 - 22 A - 380..415V - 7.5..11 KW

ATS01N222QN

Product availability : Stock - Normally stocked in distribution facility

Price* : 262.80 USD

Main

| | |
|------------------------------|---|
| Range of Product | Altestart 01 |
| Product or Component Type | Soft starter |
| Product destination | Asynchronous motors |
| Product Specific Application | Simple machine |
| Device short name | ATS01 |
| Phase | 3 phase |
| [Us] rated supply voltage | 380...415 V - 10...10 % |
| Motor power kW | 11 kW, 3 phase 380...415 V 7.5 kW, 3 phase 380...415 V |
| IcL starter rating | 22 A |
| Utilisation category | AC-53B EN/IEC 60947-4-2 |
| Current consumption | 110 A at nominal load |
| Type of start | Start with voltage ramp |
| Power dissipation in W | 124.5 W in transient state 4.5 W at full load and at end of starting |

Complementary

| | |
|------------------------------|--|
| Assembly style | With heat sink |
| Function Available | Integrated bypass |
| Supply voltage limits | 342...456 V |
| Supply frequency | 50...60 Hz - 5...5 % |
| Network Frequency | 47.5...63 Hz |
| Output voltage | <= power supply voltage |
| [Uc] control circuit voltage | Built into the starter |
| Starting time | 1 s / 100 5 s / 20 10 s / 10 Adjustable from 1 to 10 s |
| Deceleration time symb | Adjustable from 1 to 10 s |
| Starting torque | 30...80 % of starting torque of motor connected directly on the line supply |
| Discrete input type | Logic LI1, LI2, BOOST) stop, run and boost on start-up functions <= 8 mA 27 kOhm |

* Price is "List Price" and may be subject to a trade discount – check with your local distributor or retailer for actual price.

| | |
|----------------------------------|--|
| Discrete input voltage | 24...40 V |
| Discrete input logic | Positive LI1, LI2, BOOST < 5 V <= 0.2 mA > 13 V, >= 0.5 mA |
| Discrete output current | 2 A DC-13 3 A AC-15 |
| Discrete output type | Open collector logic LO1 end of starting signal Relay outputs R1A, R1C NO |
| Discrete output voltage | 24 V 6...30 V) open collector logic |
| Minimum switching current | 10 mA 6 V DC relay outputs |
| Maximum switching current | Relay outputs 2 A 250 V AC cos phi = 0.5 20 ms inductive Relay outputs 2 A 30 kV DC cos phi = 0.5 20 ms inductive |
| Display type | 1 LED Green)starter powered up 1 LED Yellow)nominal voltage reached |
| Tightening torque | 4.43 lbf.in (0.5 N.m) 16.82...22.13 lbf.in (1.9...2.5 N.m) |
| Electrical connection | 4 mm screw clamp terminal - rigid 1 1...10 mm ² AWG 8 power circuit Screw connector - rigid 1 0.5...2.5 mm ² AWG 14 control circuit 4 mm screw clamp terminal - rigid 2 1...6 mm ² AWG 10 power circuit Screw connector - rigid 2 0.5...1 mm ² AWG 17 control circuit Screw connector - flexible with cable end 1 0.5...1.5 mm ² AWG 16 control circuit 4 mm screw clamp terminal - flexible without cable end 1 1.5...10 mm ² AWG 8 power circuit Screw connector - flexible without cable end 1 0.5...2.5 mm ² AWG 14 control circuit 4 mm screw clamp terminal - flexible with cable end 2 1...6 mm ² AWG 10 power circuit 4 mm screw clamp terminal - flexible without cable end 2 1.5...6 mm ² AWG 10 power circuit Screw connector - flexible without cable end 2 0.5...1.5 mm ² AWG 16 control circuit |
| Marking | CE |
| Operating position | Vertical +/- 10 degree |
| Height | 6.06 in (154 mm) |
| Width | 1.77 in (45 mm) |
| Depth | 5.16 in (131 mm) |
| Net Weight | 1.23 lb(US) (0.56 kg) |
| Compatibility code | ATS01N2 |
| Motor power range AC-3 | 7...11 kW 380...440 V 3 phase |
| Motor starter type | Soft starter |

Environment

| | |
|--------------------------------------|--|
| Electromagnetic compatibility | Conducted and radiated emissions level B CISPR 11 Conducted and radiated emissions level B IEC 60947-4-2 Damped oscillating waves level 3 IEC 61000-4-12 Electrostatic discharge level 3 IEC 61000-4-2 EMC immunity EN 50082-1 EMC immunity EN 50082-2 Harmonics IEC 1000-3-2 Harmonics IEC 1000-3-4 Immunity to conducted interference caused by radio-electrical fields level 3 IEC 61000-4-6 Immunity to electrical transients level 4 IEC 61000-4-4 Immunity to radiated radio-electrical interference level 3 IEC 61000-4-3 Micro-cuts and voltage fluctuation IEC 61000-4-11 Voltage/current impulse level 3 IEC 61000-4-5 |
| Standards | EN/IEC 60947-4-2 |
| Product Certifications | CSA UL CCC B44.1-96/ASME A17.5 for starter wired to the motor delta terminal C-tick GOST |
| IP Degree of Protection | IP20 |
| Pollution degree | 2 EN/IEC 60947-4-2 |
| Vibration resistance | 1 gn 13...150 Hz)EN/IEC 60068-2-6 1.5 mm peak to peak 3...13 Hz)EN/IEC 60068-2-6 |
| Shock resistance | 15 gn 11 ms EN/IEC 60068-2-27 |
| Relative humidity | 5...95 % without condensation or dripping water EN/IEC 60068-2-3 |

| | |
|---------------------------------------|--|
| Ambient air temperature for operation | 14...104 °F (-10...40 °C) without derating 104...122 °F (40...50 °C) with current derating of 2 % per °C |
| Ambient air temperature for storage | -13...158 °F (-25...70 °C) EN/IEC 60947-4-2 |
| Operating altitude | <= 3280.84 ft (1000 m) without derating > 3280.84 ft (1000 m) with current derating of 2.2 % per additional 100 m |

Ordering and shipping details

| | |
|-------------------|---|
| Category | 22392-ATSU01/ATS01 LOW HP SOFT STARTERS |
| Discount Schedule | I11 |
| GTIN | 3389110667318 |
| Returnability | No |
| Country of origin | DE |

Packing Units

| | |
|------------------------------|--------------------------|
| Unit Type of Package 1 | PCE |
| Number of Units in Package 1 | 1 |
| Package 1 Height | 2.24 in (5.7 cm) |
| Package 1 Width | 5.94 in (15.1 cm) |
| Package 1 Length | 6.77 in (17.2 cm) |
| Package 1 Weight | 23.70 oz (672 g) |
| Unit Type of Package 2 | S03 |
| Number of Units in Package 2 | 14 |
| Package 2 Height | 11.81 in (30 cm) |
| Package 2 Width | 11.81 in (30 cm) |
| Package 2 Length | 15.75 in (40 cm) |
| Package 2 Weight | 21.94 lb(US) (9.952 kg) |
| Unit Type of Package 3 | P06 |
| Number of Units in Package 3 | 112 |
| Package 3 Height | 30.31 in (77 cm) |
| Package 3 Width | 31.50 in (80 cm) |
| Package 3 Length | 23.62 in (60 cm) |
| Package 3 Weight | 194.76 lb(US) (88.34 kg) |

Offer Sustainability

| | |
|----------------------------|---|
| California proposition 65 | WARNING: This product can expose you to chemicals including: Lead and lead compounds, which is known to the State of California to cause cancer and birth defects or other reproductive harm. For more information go to www.P65Warnings.ca.gov |
| REACH Regulation | REACH Declaration |
| REACH free of SVHC | Yes |
| EU RoHS Directive | Pro-active compliance (Product out of EU RoHS legal scope) EU RoHS Declaration |
| Toxic heavy metal free | Yes |
| Mercury free | Yes |
| China RoHS Regulation | China RoHS declaration |
| RoHS exemption information | Yes |
| Circularity Profile | End of Life Information |

WEEE

The product must be disposed on European Union markets following specific waste collection and never end up in rubbish bins.

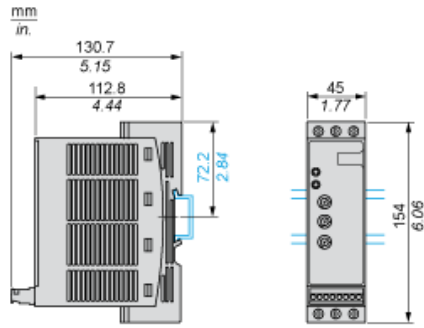
Contractual warranty

Warranty

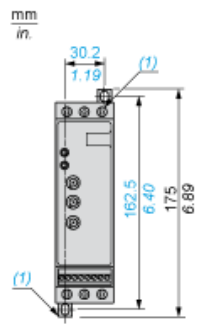
18 months

Dimensions

Mounting on Symmetrical (35 mm) Rail

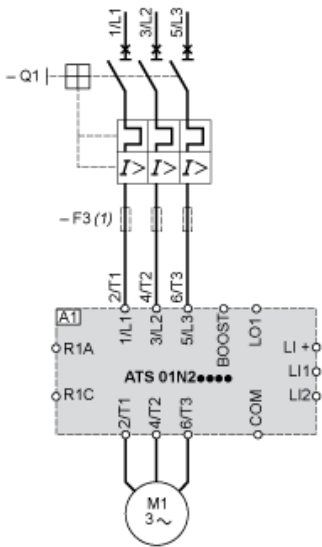


Screw Fixing



(1) Retractable fixings

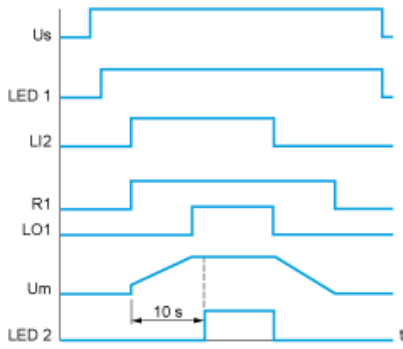
Example of Manual Control



- A1 : Soft start/soft stop unit
- (1) For type 2 coordination
- Q1 : Motor circuit-breaker
- F3 : 3 fast-acting fuses

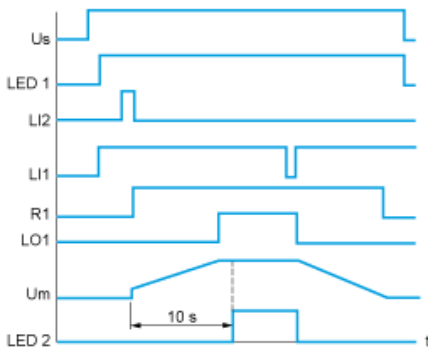
Function Diagram

2-wire Control with Deceleration



Us : Power supply voltage
LED 1 : Green LED
LI2 : Logic input
R1 : Relay output
LO1 : Logic output
LED 2 : Yellow LED

3-wire Control with Deceleration



Us : Power supply voltage
LED 1 : Green LED
LI2, LI1 : Logic inputs
R1 : Relay output
LO1 : Logic output
Um : Motor voltage
LED 2 : Yellow LED

Recommended replacement(s)