

Product data sheet

Specifications



IEC contactor, TeSys Deca, nonreversing, 80A, 60HP at 480VAC, up to 100kA SCCR, 3 phase, 3 NO, 220VAC 50/60Hz coil, open

LC1D80M7

Product availability : Stock - Normally stocked in distribution facility

Price* : 363.00 USD

Main

Range	TeSys
Range of Product	TeSys Deca
Product or Component Type	Contactors
Device short name	LC1D
Contactors application	Motor control Resistive load
Utilisation category	AC-1 AC-4 AC-3 AC-3e
Poles description	3P
[Ue] rated operational voltage	Power circuit <= 300 V DC 25...400 Hz Power circuit <= 690 V AC
[Ie] rated operational current	125 A 140 °F (60 °C) <= 440 V AC AC-1 power circuit 80 A 140 °F (60 °C) <= 440 V AC AC-3 power circuit 80 A 140 °F (60 °C) <= 440 V AC AC-3e power circuit
[Uc] control circuit voltage	220 V AC 50/60 Hz

Complementary

Motor power kW	22 kW 220...230 V AC 50/60 Hz AC-3) 37 kW 380...400 V AC 50/60 Hz AC-3) 45 kW 415...440 V AC 50/60 Hz AC-3) 55 kW 500 V AC 50/60 Hz AC-3) 45 kW 660...690 V AC 50/60 Hz AC-3) 45 kW 1000 V AC 50/60 Hz AC-3) 15 kW 400 V AC 50/60 Hz AC-4)
Maximum Horse Power Rating	7.5 hp 120 V at AC 50/60 Hz for 1 phase 15 hp 230/240 V at AC 50/60 Hz for 1 phase 30 hp 200/208 V at AC 50/60 Hz for 3 phase 30 hp 230/240 V at AC 50/60 Hz for 3 phase 60 hp 460/480 V at AC 50/60 Hz for 3 phase 60 hp 575/600 V at AC 50/60 Hz for 3 phase
Compatibility code	LC1D
Pole contact composition	3 NO
Contact compatibility	M11
Protective cover	With

* Price is "List Price" and may be subject to a trade discount – check with your local distributor or retailer for actual price.

[Ith] conventional free air thermal current	10 A 140 °F (60 °C) signalling circuit 125 A 140 °F (60 °C) power circuit
Irms rated making capacity	140 A AC signalling circuit IEC 60947-5-1 250 A DC signalling circuit IEC 60947-5-1 1100 A 440 V power circuit IEC 60947
Rated breaking capacity	1100 A 440 V power circuit IEC 60947
[Icw] rated short-time withstand current	640 A 104 °F (40 °C) - 10 s power circuit 990 A 104 °F (40 °C) - 1 s power circuit 135 A 104 °F (40 °C) - 10 min power circuit 320 A 104 °F (40 °C) - 1 min power circuit 100 A - 1 s signalling circuit 120 A - 500 ms signalling circuit 140 A - 100 ms signalling circuit
Associated fuse rating	10 A gG signalling circuit IEC 60947-5-1 200 A gG ≤ 690 V type 1 power circuit 160 A gG ≤ 690 V type 2 power circuit
Average impedance	0.8 mOhm - Ith 125 A 50 Hz power circuit
Power dissipation per pole	5.1 W AC-3 12.5 W AC-1 5.1 W AC-3e
[Ui] rated insulation voltage	Power circuit 600 V CSA Power circuit 600 V UL Power circuit 1000 V IEC 60947-4-1 Signalling circuit 690 V IEC 60947-1 Signalling circuit 600 V CSA Signalling circuit 600 V UL
Overvoltage category	III
Pollution degree	3
[Uimp] rated impulse withstand voltage	8 kV IEC 60947
Safety reliability level	B10d = 1369863 cycles contactor with nominal load EN/ISO 13849-1 B10d = 20000000 cycles contactor with mechanical load EN/ISO 13849-1
Mechanical durability	4 Mcycles
Electrical durability	0.8 Mcycles 125 A AC-1 ≤ 440 V 1.5 Mcycles 80 A AC-3 ≤ 440 V 1.5 Mcycles 80 A AC-3e ≤ 440 V
Control circuit type	AC 50/60 Hz standard
Coil technology	Without built-in suppressor module
Control circuit voltage limits	0.85...1.1 Uc -40...131 °F (-40...55 °C) operational AC 60 Hz 0.3...0.6 Uc -40...158 °F (-40...70 °C) drop-out AC 50/60 Hz 0.8...1.1 Uc -40...131 °F (-40...55 °C) operational AC 50 Hz 1...1.1 Uc 131...158 °F (55...70 °C) operational AC 50/60 Hz
Inrush power in VA	245 VA 60 Hz 0.75 68 °F (20 °C)) 245 VA 50 Hz 0.75 68 °F (20 °C))
Hold-in power consumption in VA	26 VA 60 Hz 0.3 68 °F (20 °C)) 26 VA 50 Hz 0.3 68 °F (20 °C))
Heat dissipation	6...10 W 50/60 Hz
Operating time	20...35 ms closing 6...20 ms opening
Maximum operating rate	3600 cyc/h 140 °F (60 °C)
Connections - terminals	Control circuit screw clamp terminals 2 0.00...0.00 in ² (1...2.5 mm ²) flexible with cable end Control circuit screw clamp terminals 1 0.00...0.00 in ² (1...2.5 mm ²) flexible with cable end Control circuit screw clamp terminals 1 0.00...0.01 in ² (1...4 mm ²) flexible without cable end Control circuit screw clamp terminals 2 0.00...0.01 in ² (1...4 mm ²) flexible without cable end Control circuit screw clamp terminals 1 0.00...0.01 in ² (1...4 mm ²) solid without cable end Control circuit screw clamp terminals 2 0.00...0.01 in ² (1...4 mm ²) solid without cable end Power circuit connector 1 0.01...0.08 in ² (4...50 mm ²) flexible without cable end Power circuit connector 2 0.01...0.04 in ² (4...25 mm ²) flexible without cable end Power circuit connector 1 0.01...0.08 in ² (4...50 mm ²) flexible with cable end Power circuit connector 2 0.01...0.02 in ² (4...16 mm ²) flexible with cable end Power circuit connector 1 0.01...0.08 in ² (4...50 mm ²) solid without cable end Power circuit connector 2 0.01...0.04 in ² (4...25 mm ²) solid without cable end
Tightening torque	Control circuit 10.62 lbf.in (1.2 N.m) screw clamp terminals flat Ø 6 mm Control circuit 10.62 lbf.in (1.2 N.m) screw clamp terminals Philips No 2 Power circuit 106.21 lbf.in (12 N.m) connector flat Ø 6 to Ø 8 mm Power circuit 106.21 lbf.in (12 N.m) connector hexagonal 0.16 in (4 mm)

Auxiliary contact composition	1 NO + 1 NC
Auxiliary contacts type	Mechanically linked 1 NO + 1 NC IEC 60947-5-1 Mirror contact 1 NC IEC 60947-4-1
Signalling circuit frequency	25...400 Hz
Minimum switching voltage	17 V signalling circuit
Minimum switching current	5 mA signalling circuit
Insulation resistance	> 10 MOhm signalling circuit
Non-overlap time	1.5 ms on de-energisation between NC and NO contact 1.5 ms on energisation between NC and NO contact
Mounting Support	Plate Rail

Environment

Standards	CSA C22.2 No 14 EN 60947-4-1 EN 60947-5-1 IEC 60947-4-1 IEC 60947-5-1 UL 508
Product Certifications	GOST RINA CCC CSA BV DNV GL LROS (Lloyds register of shipping) UL
IP degree of protection	IP20 front face IEC 60529
Protective treatment	THIEC 60068-2-30
Climatic withstand	IACS E10 exposure to damp heat
Permissible ambient air temperature around the device	-40...140 °F (-40...60 °C) 140...158 °F (60...70 °C) with derating
Operating altitude	0...9842.52 ft (0...3000 m)
Fire resistance	1562 °F (850 °C) IEC 60695-2-1
Flame retardance	V1 conforming to UL 94
Mechanical robustness	Vibrations contactor open 2 Gn, 5...300 Hz) Shocks contactor open 8 Gn for 11 ms) Vibrations contactor closed 3 Gn, 5...300 Hz) Shocks contactor closed 10 Gn for 11 ms)
Height	5.00 in (127 mm)
Width	3.35 in (85 mm)
Depth	5.12 in (130 mm)
Net Weight	3.51 lb(US) (1.59 kg)

Ordering and shipping details

Category	22359-CTR, TESYS D, OPEN, 80-150A AC&DC
Discount Schedule	112
GTIN	3389110442571
Returnability	Yes
Country of origin	CZ

Packing Units

Unit Type of Package 1	PCE
-------------------------------	-----

Number of Units in Package 1	1
Package 1 Height	5.51 in (14.000 cm)
Package 1 Width	5.31 in (13.500 cm)
Package 1 Length	3.94 in (10.000 cm)
Package 1 Weight	3.44 lb(US) (1.560 kg)
Unit Type of Package 2	S02
Number of Units in Package 2	5
Package 2 Height	5.91 in (15.000 cm)
Package 2 Width	11.81 in (30.000 cm)
Package 2 Length	15.75 in (40.000 cm)
Package 2 Weight	17.82 lb(US) (8.085 kg)
Unit Type of Package 3	P06
Number of Units in Package 3	80
Package 3 Height	29.53 in (75.000 cm)
Package 3 Width	23.62 in (60.000 cm)
Package 3 Length	31.50 in (80.000 cm)
Package 3 Weight	293.88 lb(US) (133.300 kg)

Offer Sustainability

Sustainable offer status	Green Premium product
California proposition 65	WARNING: This product can expose you to chemicals including: Antimony oxide & Antimony trioxide, which is known to the State of California to cause cancer. For more information go to www.P65Warnings.ca.gov
REACH Regulation	REACH Declaration
REACH free of SVHC	Yes
EU RoHS Directive	Compliant EU RoHS Declaration
Toxic heavy metal free	Yes
Mercury free	Yes
China RoHS Regulation	China RoHS declaration Pro-active China RoHS declaration (out of China RoHS legal scope)
RoHS exemption information	Yes
Environmental Disclosure	Product Environmental Profile
WEEE	The product must be disposed on European Union markets following specific waste collection and never end up in rubbish bins.
PVC free	Yes

Contractual warranty

Warranty	18 months
-----------------	-----------

Dimensions



(1) Minimum electrical clearance

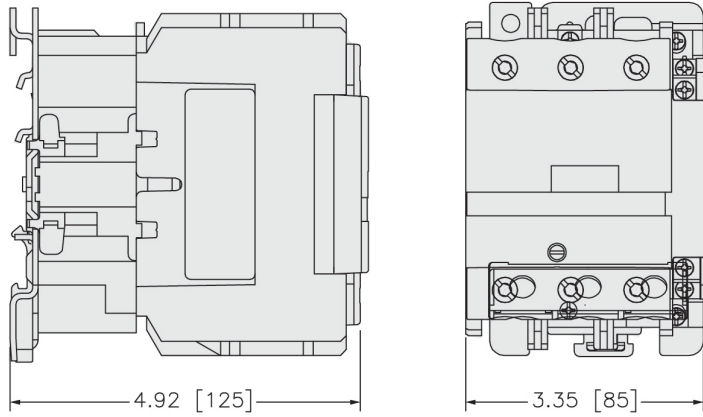
LC1		D80	D95
a		85	85
b1	with LA4 D•2	135	135
	with LA4 DB3 or LAD 4BB3	135	–
	with LA4 DF, DT	142	142
	with LA4 DM, DW, DL	150	150
c	without cover or add-on blocks	125	125
	with cover, without add-on blocks	130	130
c1	with LAD N (1 contact)	150	150
	with LAD N or C (2 or 4 contacts)	158	158
c2	with LA6 DK10, LAD 6DK	170	170
c3	with LAD T, R, S	178	178
	with LAD T, R, S and sealing cover	182	182

Wiring



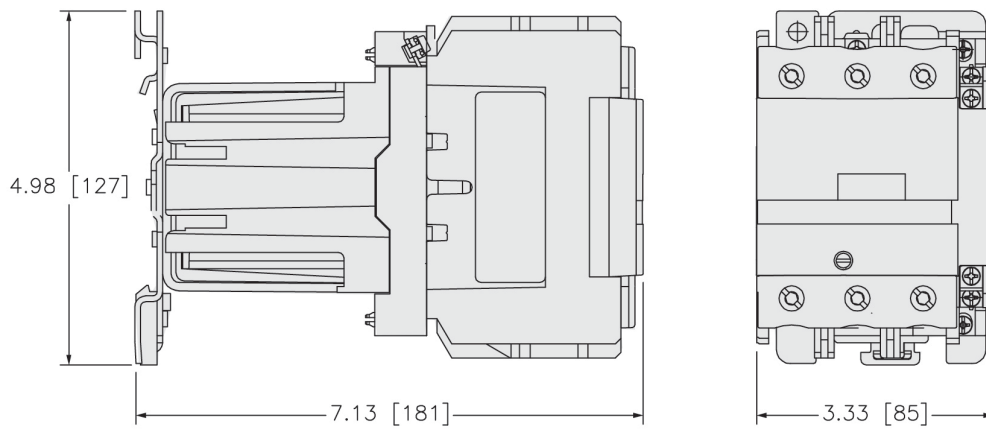
Dimensions

CONTACTOR WITH AC COIL



in.
[mm]

CONTACTOR WITH DC COIL



ALL DIMENSIONS ARE APPROXIMATE.
REFER TO TECHNICAL DRAWINGS AND DOCUMENTATION FOR COMPLETE INFORMATION.

Recommended replacement(s)